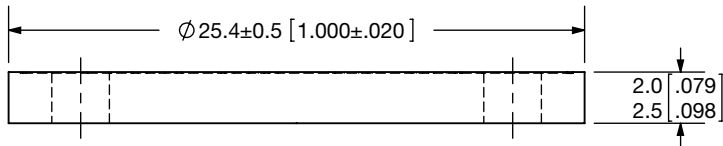
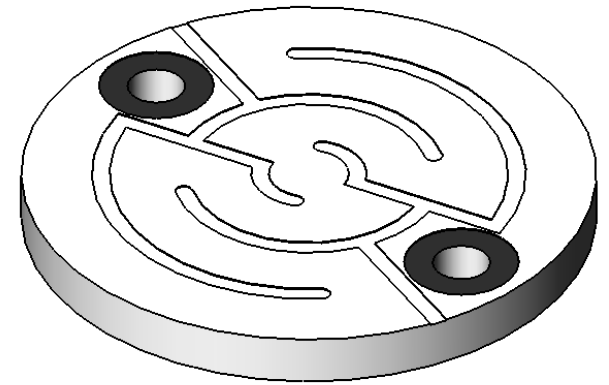


2x Contacts
 $\phi 2.54 \pm 0.2$ [.100±.008] thru
 $\square \phi 5.08 \pm 0.25$ [.200±.010]
 Contact O.D.



Typical	
Resistance*	10 - 16 Ω
Voltage	40 volts
Current	8 amps
Power	300 watts
*Resistance Room Temp: R@800°C ~ 1/2R Room Temp	

Final res: 10.0 ohms - 16.0 ohms

THE INFORMATION CONTAINED IN THIS DRAWING IS THE SOLE PROPERTY OF MOMENTIVE PERFORMANCE MATERIALS. ANY REPRODUCTION IN PART OR AS A WHOLE WITHOUT THE WRITTEN PERMISSION OF MOMENTIVE PERFORMANCE MATERIALS IS PROHIBITED.

Momentive and the Momentive logo are trademarks of Momentive Performance Materials Inc.

DIMENSIONS ARE IN: mm [in]

TOLERANCES: UNLESS OTHERWISE SPECIFIED
 ANGULAR: MACH $\pm .5^\circ$
 TWO PLACE DECIMAL: $\pm .3$ [0.01]
 THREE PLACE DECIMAL: $\pm .13$ [0.005]

	NAME	DATE
DRAWN BY:	JMM	4/4/08
ENGINEER:	TJH	
APPROVED BY:	TJH	4/16/08
CNC:		

MOMENTIVE™

TITLE:
Standard HT-41 Heater
****External Final Details****

EXPORT CONTROL STATUS:

IS THIS DOCUMENT EXPORT CONTROLLED? **No**

MATERIAL:
 PBN/PG
 TREATMENT:

FORMER UCAR/ACC #:
 HT-41, HTR_0577A

CUST DWG #:

ITEM #:
 HTR0041
 CMM#

DRAWING NUMBER:
080387

REV
 -

TITLEBLOCK VERSION:

MOMENTIVE TITLEBLOCK A INCH V1.0 4/07

RFQ #:

WORK ORDER: SALES ORDER:

SCALE: 3:1

SHEET 1 OF 1